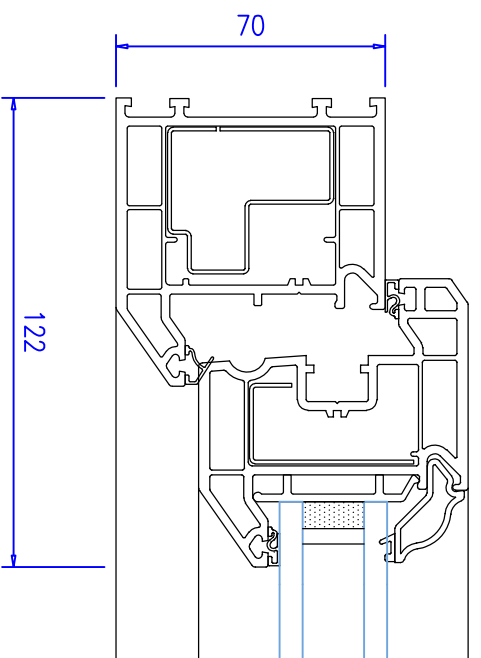
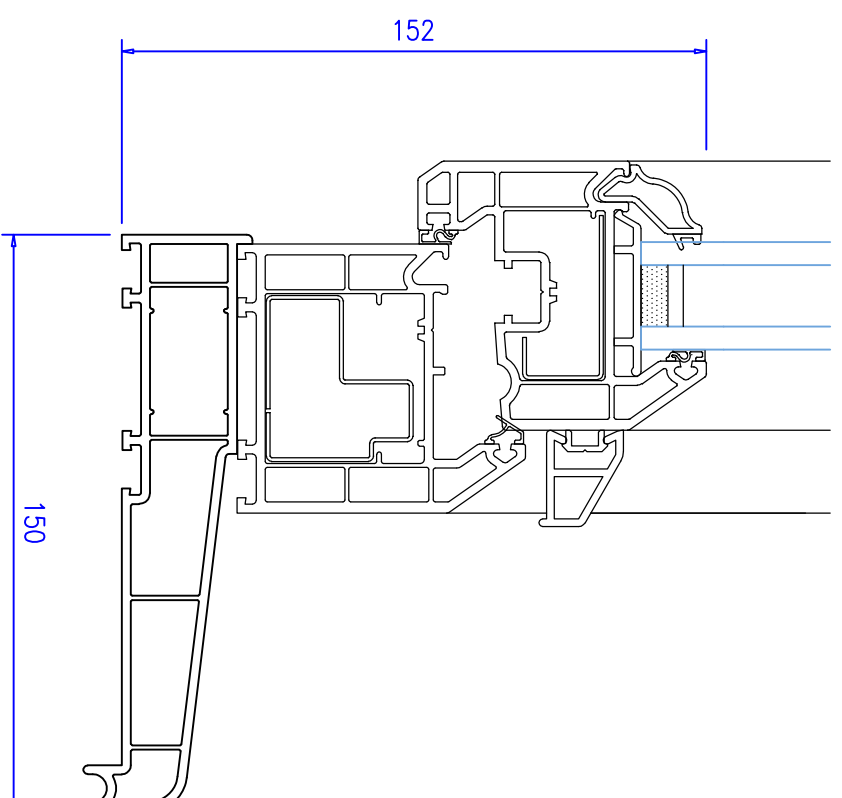
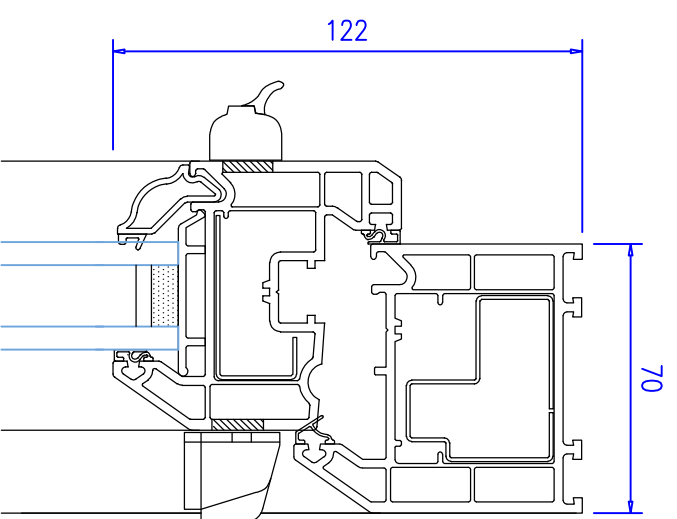
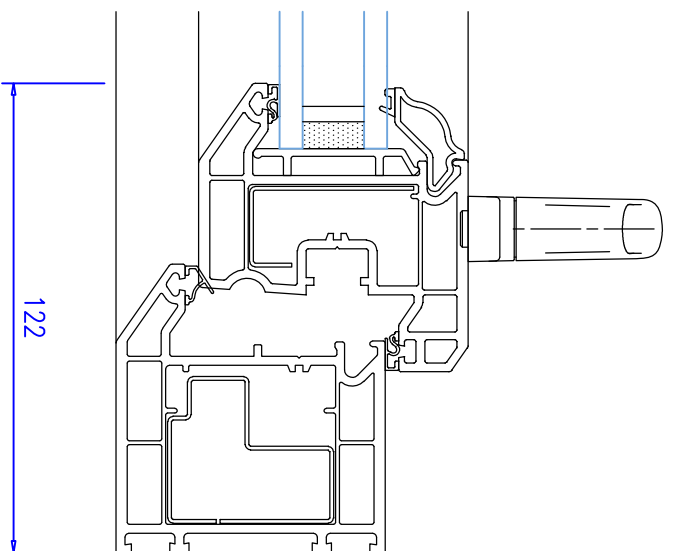


ELEVATION



SECTION A-A



SECTION B-B

Average U Value	1.5W/m <sup>2</sup> K
Glazing Thickness	28mm
Testing	
Security	PAS24
Air Tightness (Pa)	600Pa
Water Tightness (Pa)	450Pa
Wind Load	1200Pa