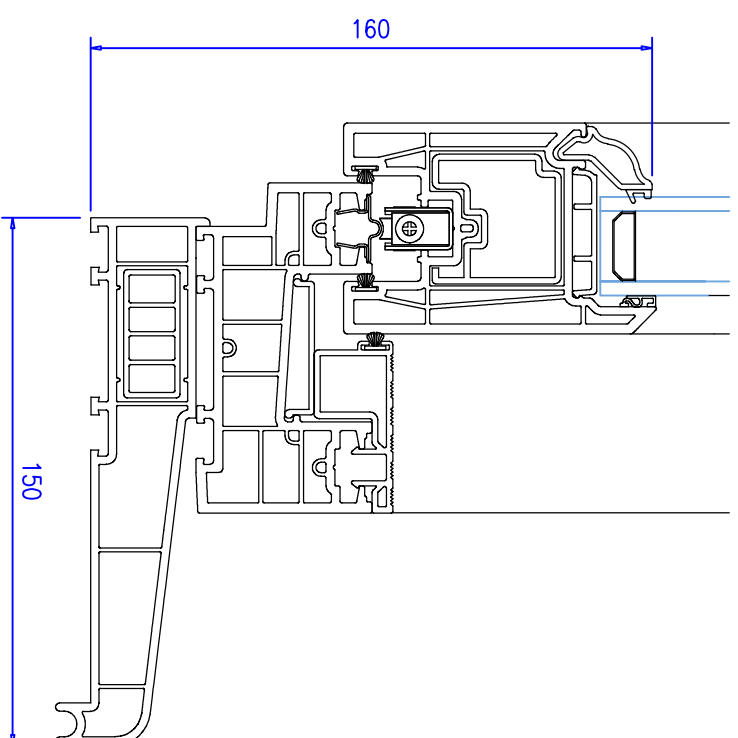
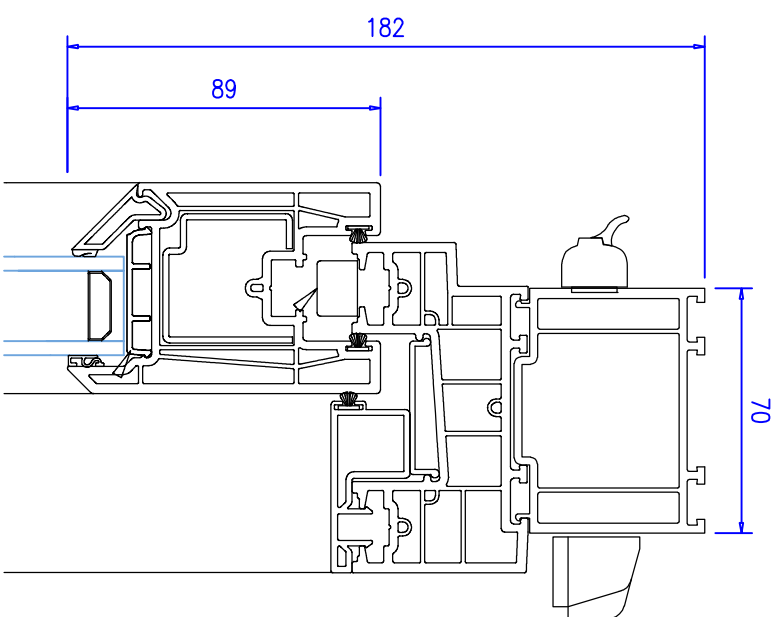
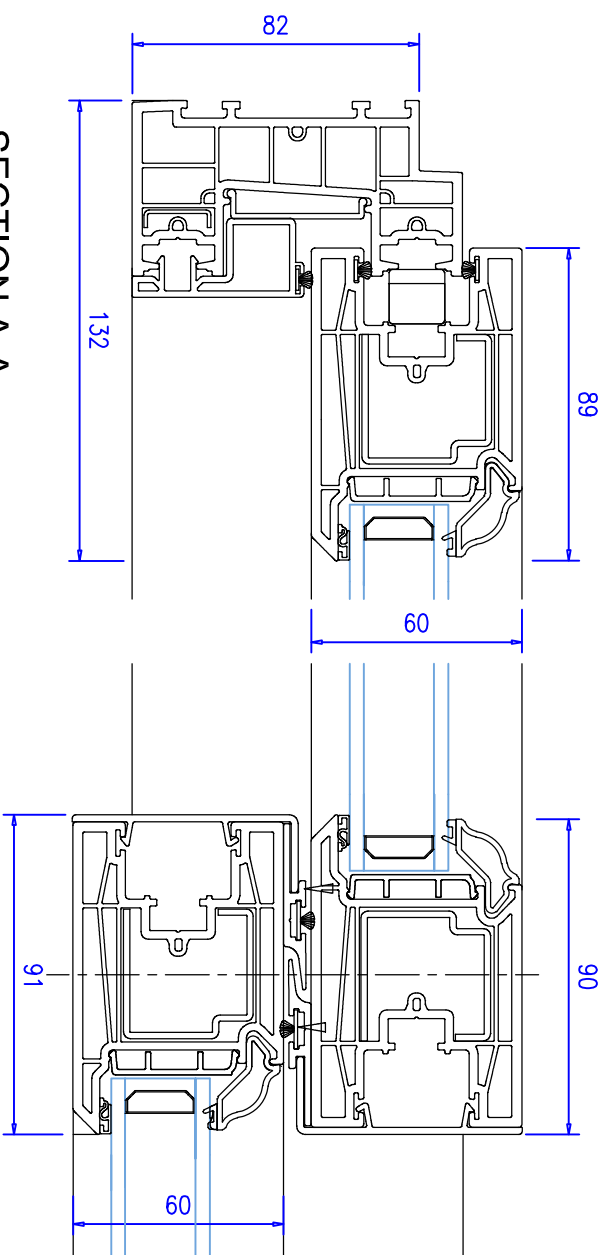


ELEVATION



SECTION B-B



SECTION A-A

Average U Value	1.3W/m²K
Glazing Thickness	28mm
Testing	
Security	PAS24
Air Tightness (Pa)	Class 3 (600Pa)
Water Tightness (Pa)	Class 33a (150Pa)
Exposure Cat	800Pa