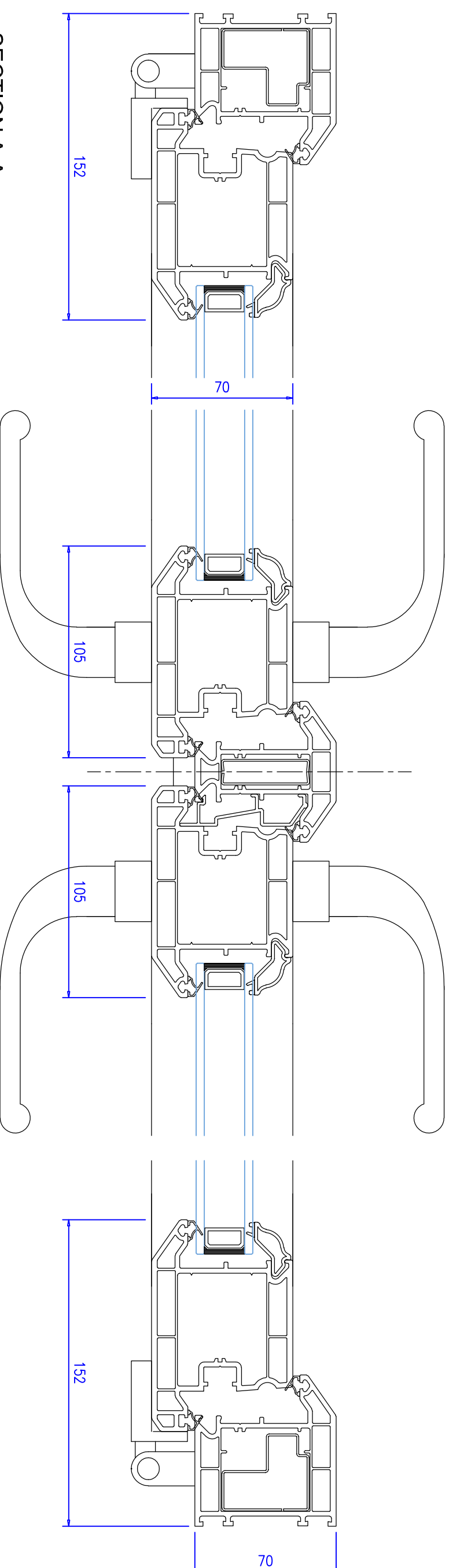


Average U Value	1.5W/m²K
Glazing Thickness	28mm
Testing	
Security	PAS24
Air Tightness (Pa)	Class 2 (300Pa)
Water Tightness (Pa)	Class 6a (250Pa)
Wind Load	Class A3 (1200Pa)

ELEVATION

SECTION B-B



SECTION A-A