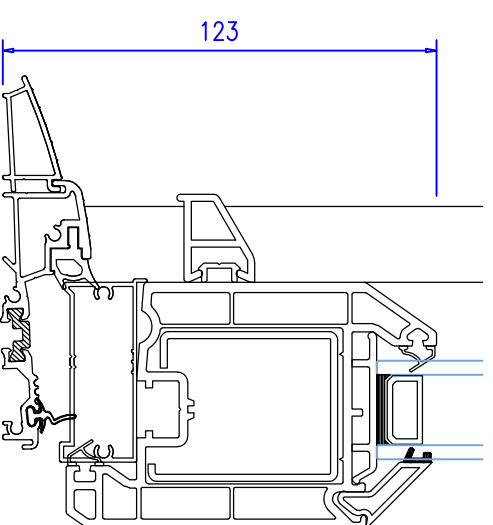
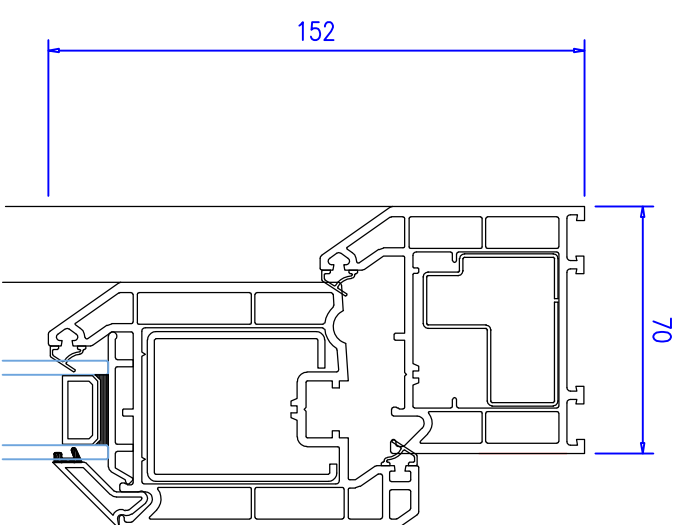
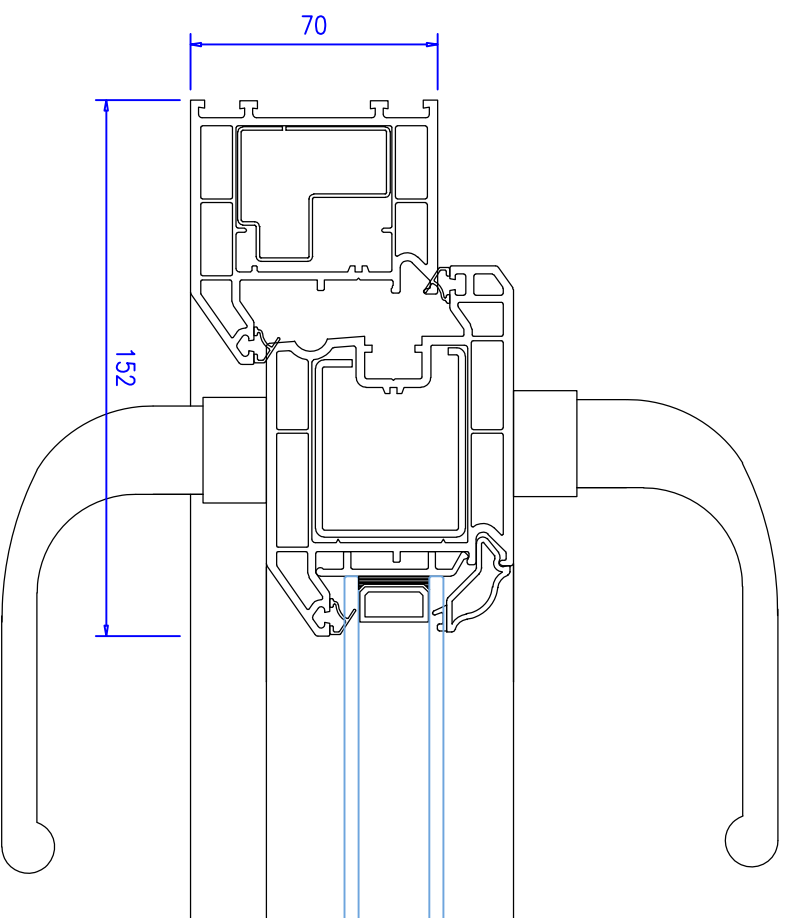


ELEVATION



SECTION B-B

Average U Value	1.5W/m ² K
Glazing Thickness	28mm
Testing	
Security	PAS24
Air Tightness (Pa)	Class 3 (600Pa)
Water Tightness (Pa)	Class 7a (300Pa)
Wind Load	Class A3 (1200Pa)



SECTION A-A

