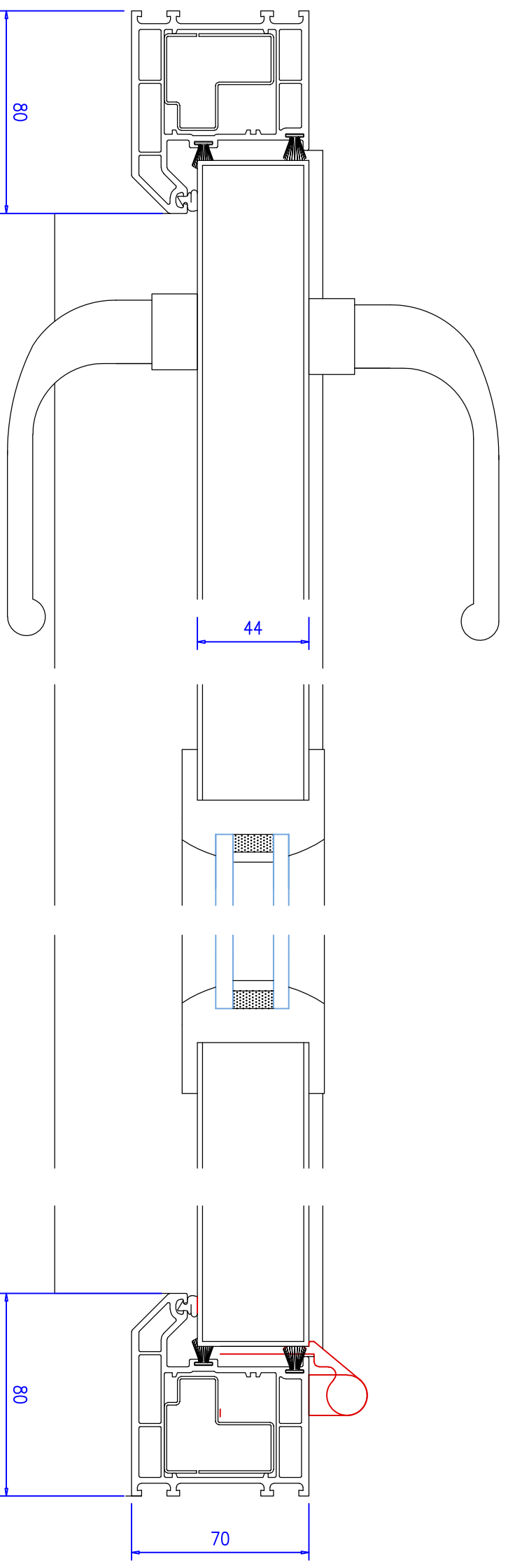


Average U Value	Dependant on Style
Slab Thickness	44mm
Testing	PAS24
Security	

ELEVATION

SECTION B-B



SECTION A-A