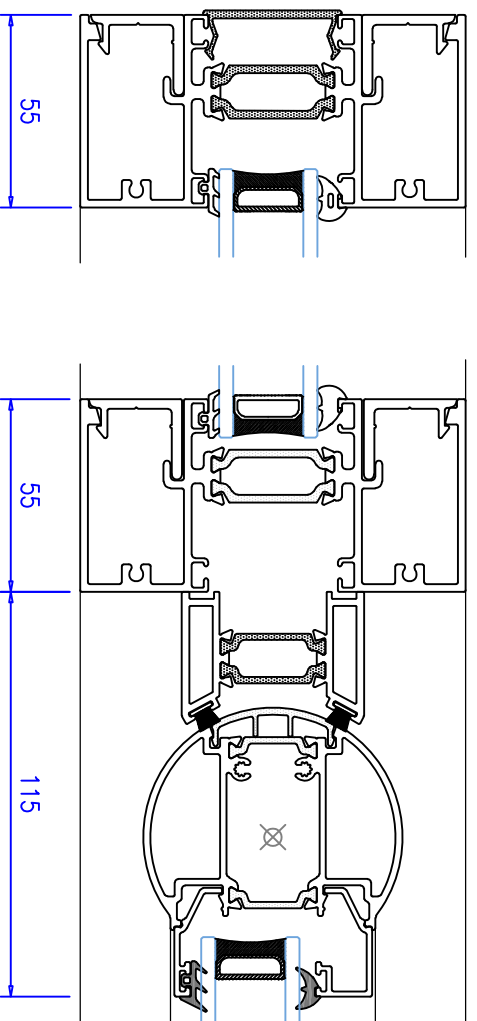
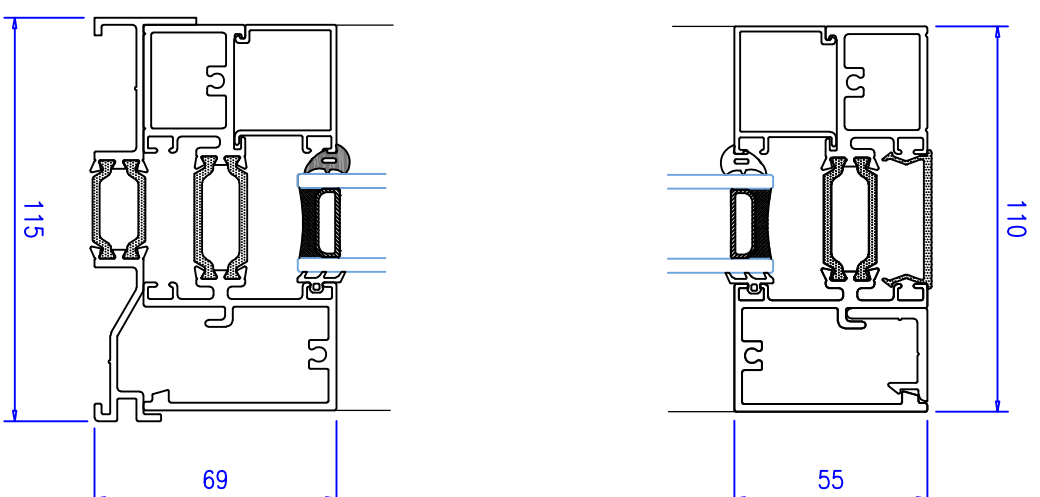


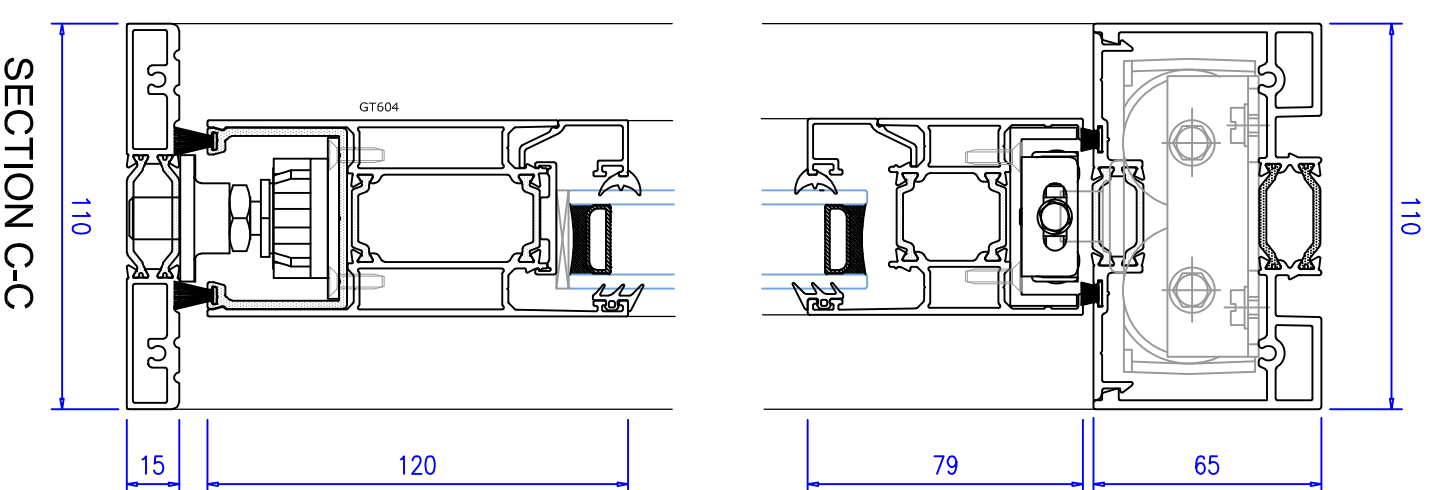
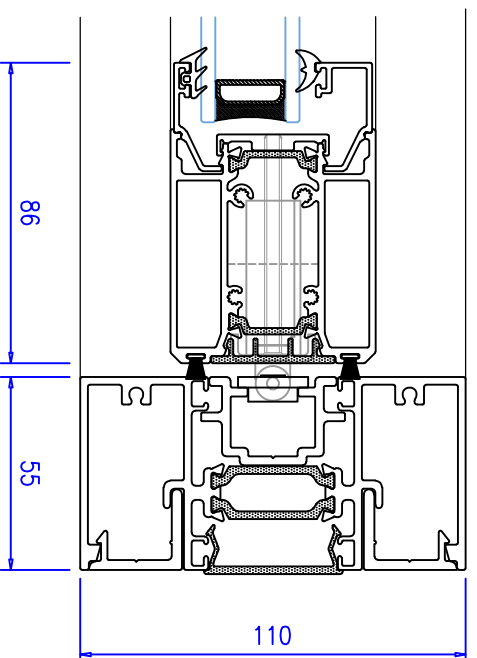
ELEVATION



SECTION A-A



SECTION B-B



SECTION C-C

Average U Value	Single Door	Double Door	GT55 Screening
CEN standard	1.9W/m ² K	1.8W/m ² K	1.3W/m ² K
Glazing			
Thickness	28mm	28mm	28mm
Testing			
Security	PAS24 & SBD	PAS24 & SBD	PAS24 & SBD
Air Permeability (Pa)	-	-	Class 4 (600Pa)
Water Tightness (Pa)	-	-	Class E1200 (1200Pa)
Wind Load	-	-	Class B4 (1600Pa)