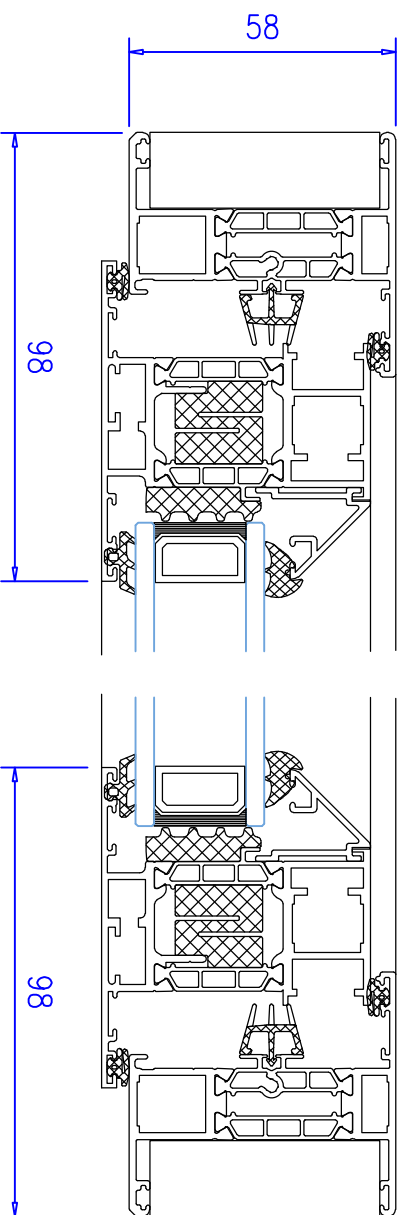
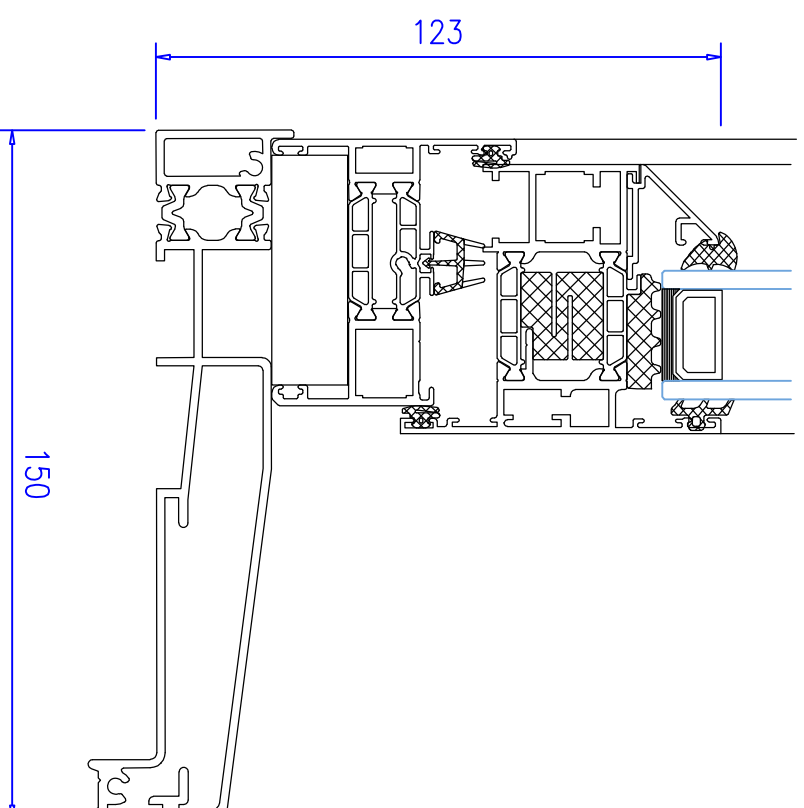
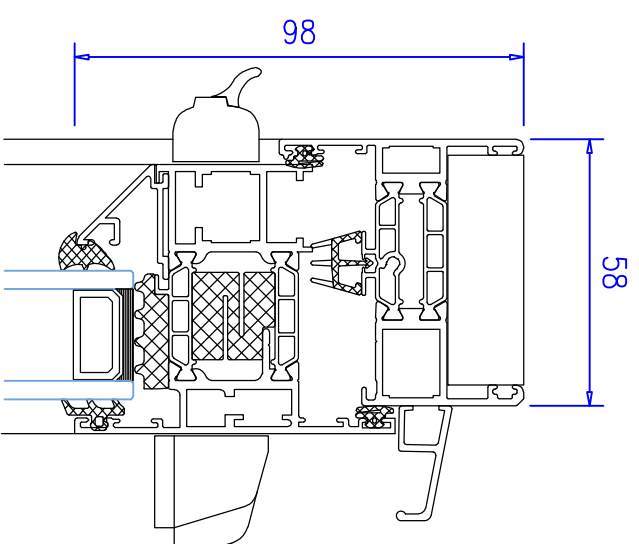


ELEVATION



SECTION A-A



SECTION B-B

| | |
|----------------------|-----------------------|
| Average U Value | 1.4W/m ² K |
| CEN standard | |
| Glazing | |
| Thickness | 28mm |
| Testing | |
| Security | PAS24 |
| Air Tightness (Pa) | Class 4 |
| Water Tightness (Pa) | Class 9a |
| Wind Load | Class E2400 |