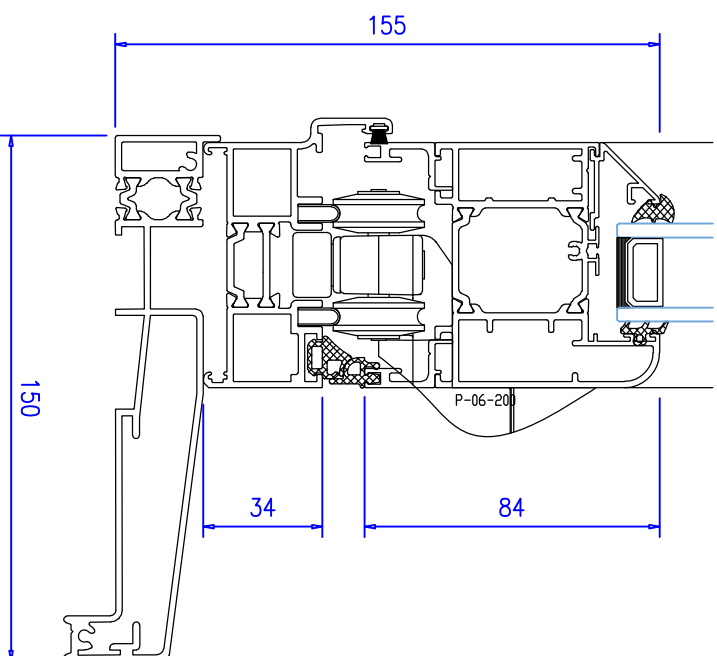
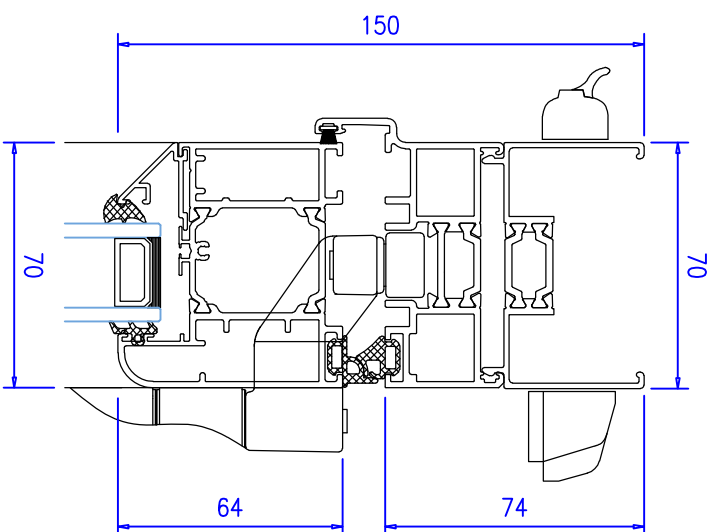
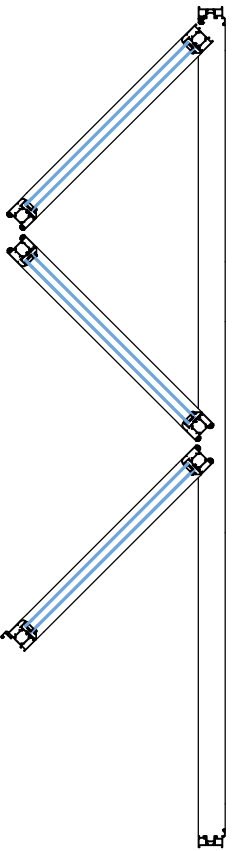
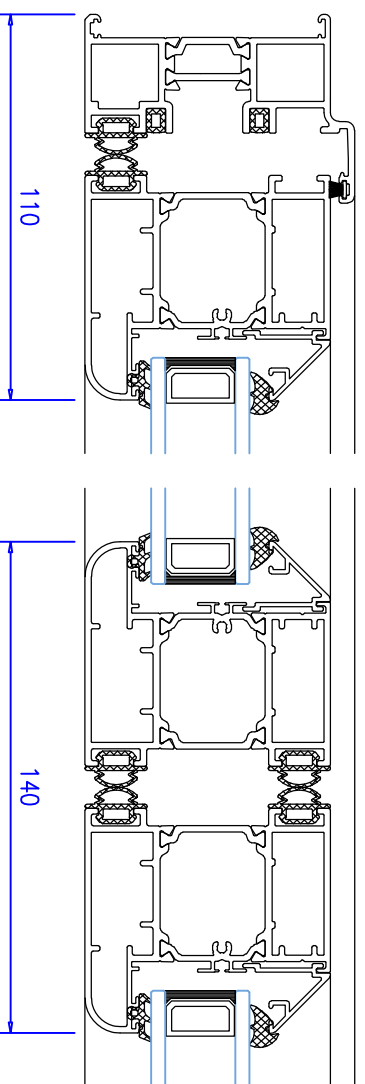


ELEVATION



SECTION B-B

Average U Value	
CEN standard	1.7W/m²K
Glazing Thickness	28mm
Testing	
Security	PAS24
Air Tightness (Pa)	Class 4
Water Tightness (Pa)	Class 7a
Wind Load	Class E2400



SECTION A-A

